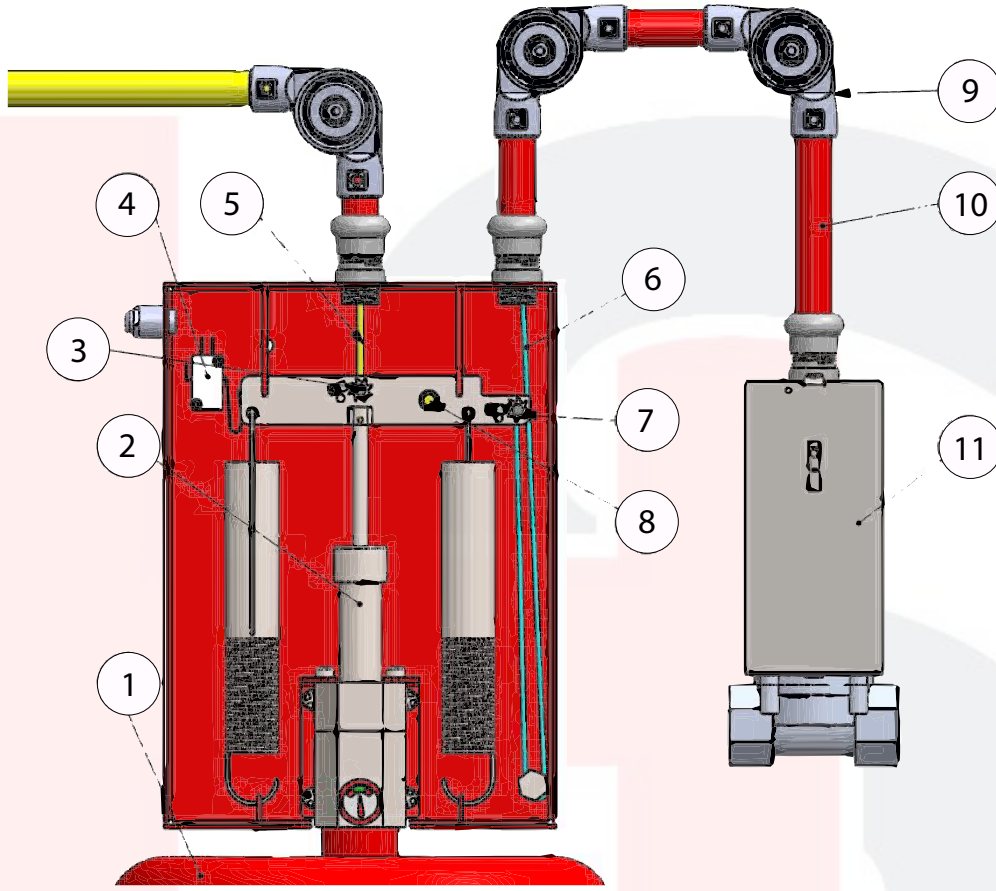


## Mechanical Gas Shut-Off Valve



Item No	Description	Item No	Description
1	System cylinder	11	Gas shut-off valve
2	Actuation valve		
3	Tensioning gear		
4	Microswitch		
5	Detection line wire		
6	Gas shut-off valve wire ( also the same installation for multi cylinder application)		
7	Gas shut-off valve tensioning gear ( also the same installation for multi cylinder application)		
8	Indicator pin		
9	Corner pulley		
10	Gas shut-off valve piping		

